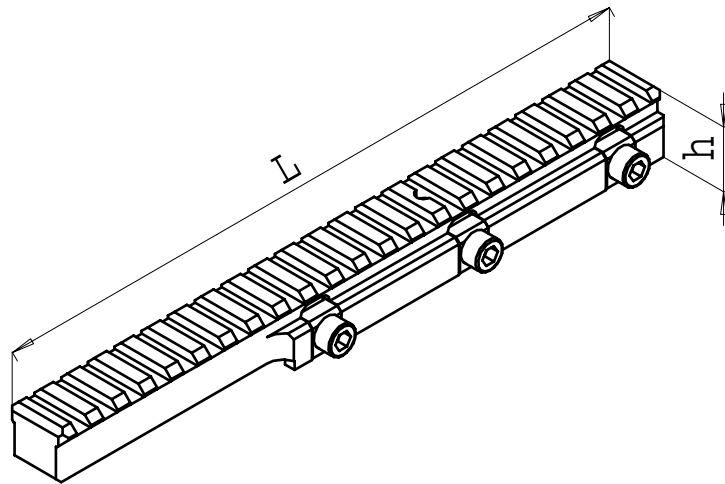


sako

sako

TRG TACTICAL RAIL



Code	rail length mm	rail height mm
S151W231	225	21

This rail is an accessory Picatinny adapter for Sako TRG, compatible with USA Mil-Std 1913.

By installing this adapter on the top of the Sako TRG action, on the rifle can be used scope mounts built for the Picatinny rail.